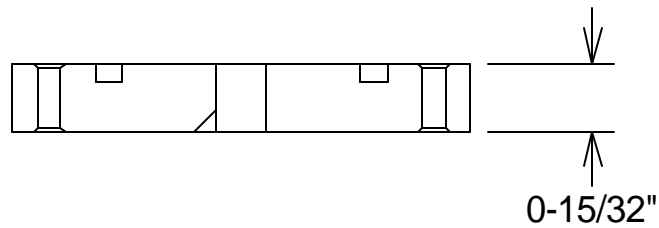
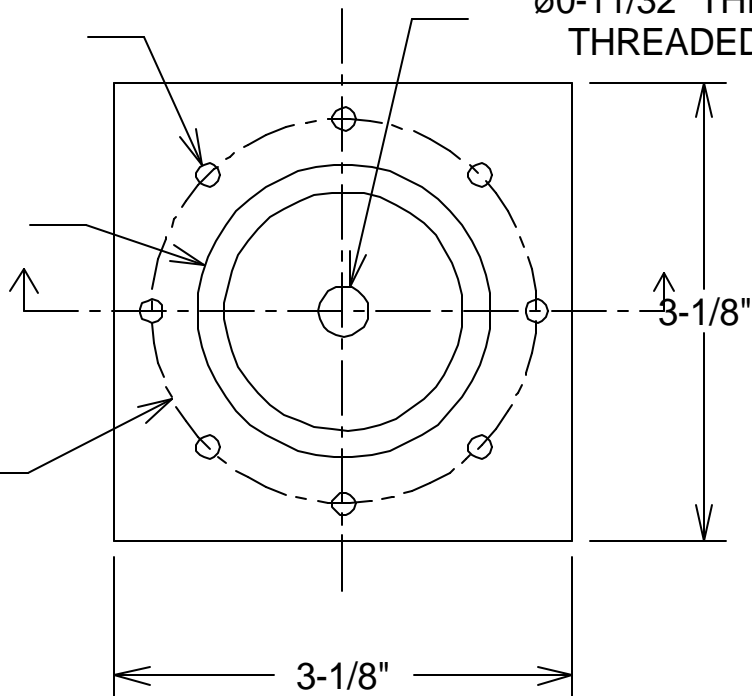


8X $\phi 7/32$ THRU
COUNTERSUNK $45^\circ 1/32''$
(BOTH SIDES)

O-RING GROOVE
OUTER WALL R1"
WIDTH $3/16''$
DEPTH $1/8''$

R1-5/16"

$\phi 0-11/32''$ THRU
THREADED



MARX BANK SWITCH COMPONENT

PART#: M4

PART NAME: END CAP

QUANTITY: 2

PART DESCRP: SCREWS ONTO M1,
SEALED WITH O-RING

MATERIAL: PLEXIGLAS

DRAWN BY: TERRY RAYMOND DATE: 6/27/01

REVISED BY: TERRY RAYMOND DATE: 7/23/01

CHECKED BY: WALKER FITZGERALD DATE: 7/20/01